

exploring the boundaries between art en design



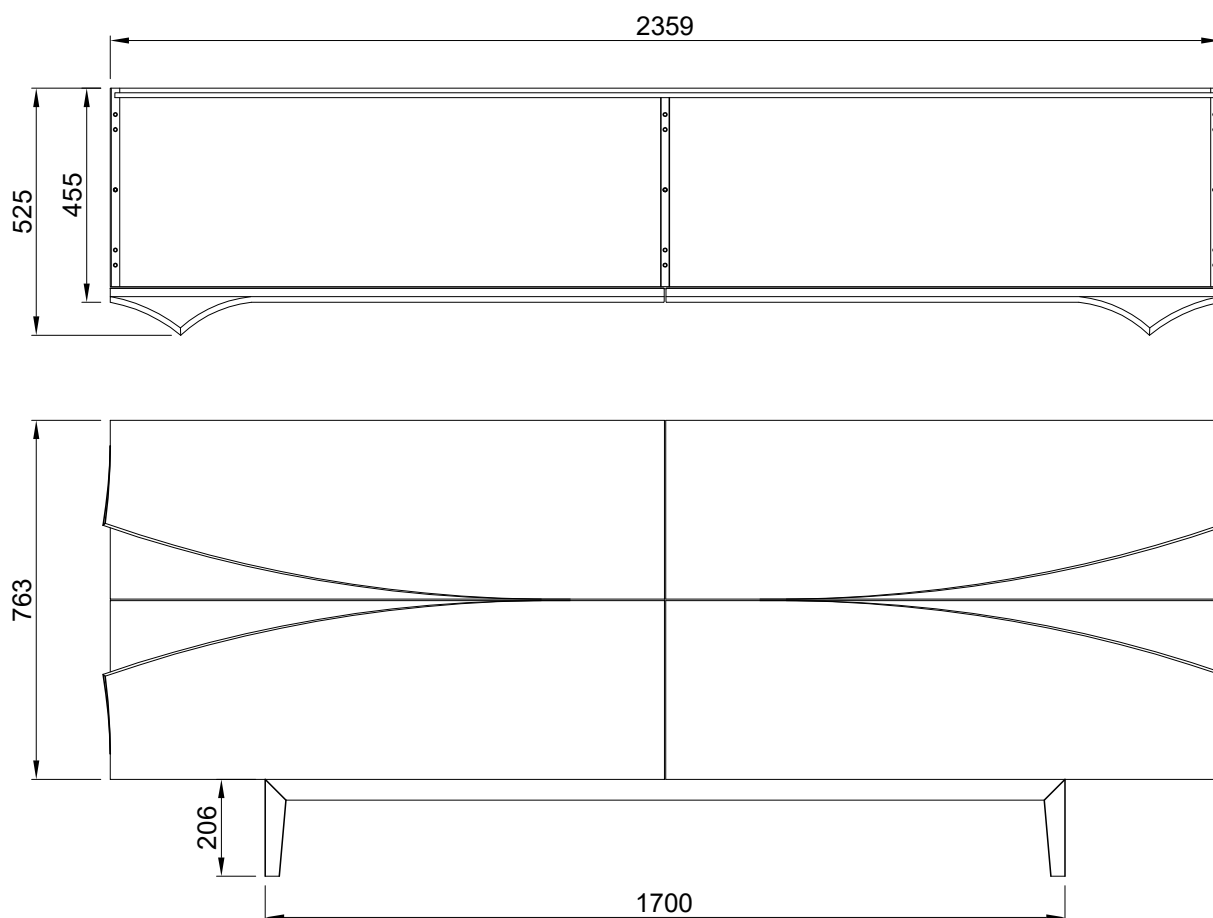
HAGOROMO

SIDEBOARD FALLOW DEER

PRODUCT DESCRIPTION

- **BODY:** Wood, Topan sheet material. The top and sides are polished to a high gloss, the back is lacquered to a high gloss.
- **FRONT:** Contains 4 push to open drawers and 2 push to open inner drawers at the top. The drawer fronts are partially lined with Fallow Deer skin, the other parts are polished to a high gloss.
- **INSIDE:** Totally painted matt.
- **LEGS:** Supporting legs are from massif Beachwood, painted matt.
- **HANDLES:** Brass and kangaroo leather lacing.
- **WALL CONNECT:** Stainless steel mounting plate.
- **WEIGHT:** 160 kg
- **DIMENSIONS:** 969x2359x525mm (HxWxD)

OVERVIEW AND DIMENSIONS



SECTIONS AND DIMENSIONS WALL CONNECTION

